

Additional Information

Installation & Adjustment Procedure Using Temporary Holding Feature

- By using the temporary holding feature, you can easily install the door with one person:
 1. Remove screw covers and vertical adjustment screws to split the hinge into the hinge body and base frame as shown in Figure A.
 2. Secure the hinge body (the side with manufacturer logo) to the bored hole of the door and the base frame to the bored hole of the frame with mounting screws respectively.
 3. Push the hinge body horizontally into the base frame as shown in Figure B.
 4. The temporary holding feature holds the door in the frame even if you loosen your hands after pushing it in.
 5. Replace and temporarily tighten the vertical adjustment screws that were removed in *Step 1*.
 6. Adjust the door positions in order one by one.
 7. Loosen the vertical adjustment screws by one turn, and adjust the vertical position of the door.
 8. After adjusting the vertical position, tighten the vertical adjustment screws.
 9. Loosen the depth adjustment screws by one turn, and adjust the depth position of the door.
 10. After adjusting the depth position, tighten the depth adjustment screws.
 11. Turn the horizontal adjustment screws to adjust the horizontal position of the door. To do this, turn the left and right adjustment screws little by little, respectively. Turning them by force may cause failure or damage.
 12. Finally, replace the screw covers to complete.

Figure A: Exploded View

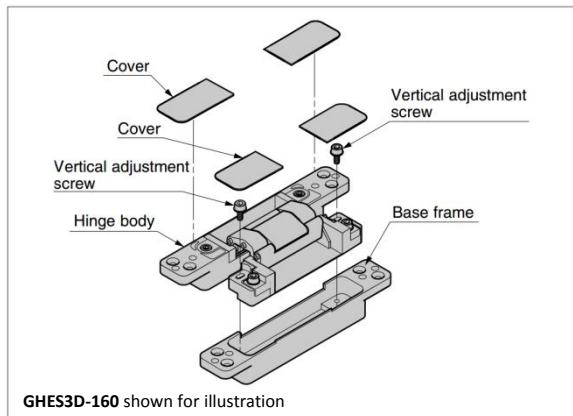


Figure B: Installation

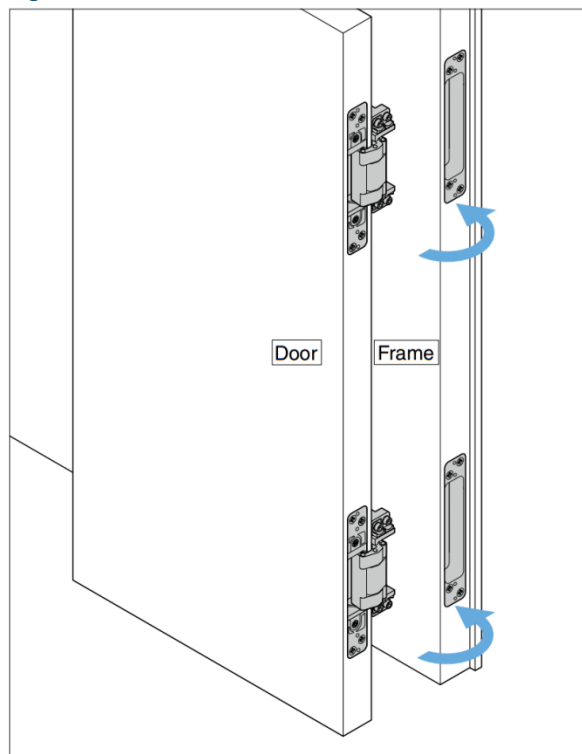
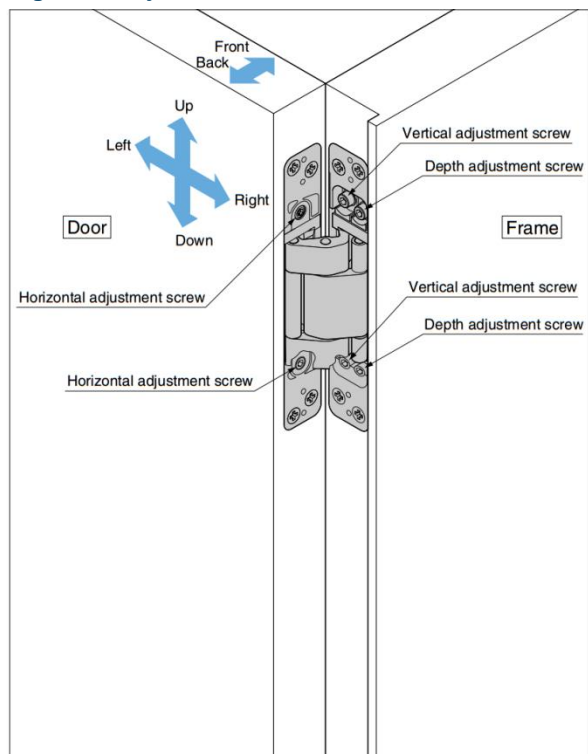


Figure C: Adjustment Screws



GHE3D-G90BKT Glass Door Bracket

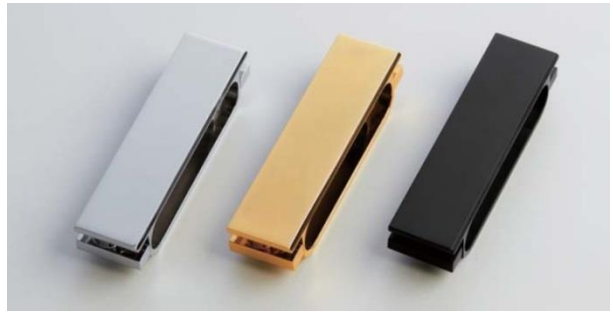
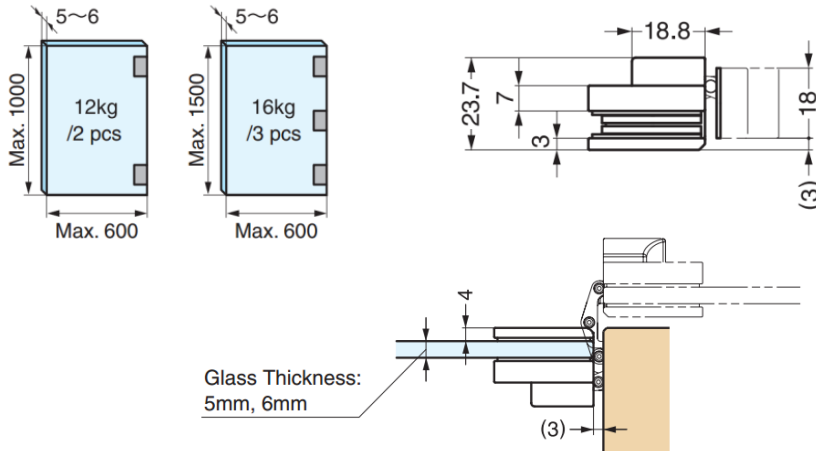
Features

- Glass door bracket for **GHE3D-90** series
- Screw covers match the bracket with the finish

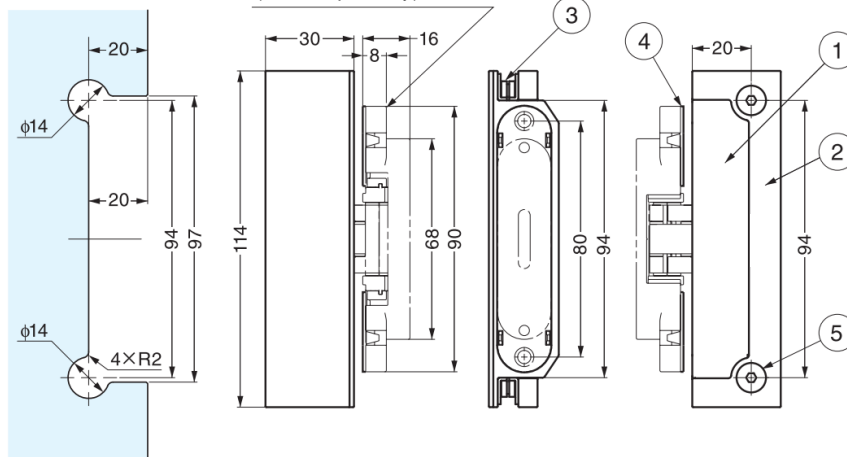
Parts Included

- Hexagon socket countersunk head screw M5 x 12
- Countersunk head screw M4x12
- Screw covers
- Hex key size 3

Door Dimensions and No. of Hinges



Concealed Hinge GHE3D-90 (Sold Separately)



No.	Part Name	Material	Finish		
			CR	GP	BL
①	Body	Zinc Alloy (ZDC)	Chrome	24K Gold plating	Black Enamel Finish
②	Back Plate				
③	Gasket	Chloroprene Rubber (CR)	—	—	—
④	Screw Cover	ABS			Black
⑤	Hexagon Socket Countersunk Head Screw M5 x 12	Steel	Chrome	24K Gold plating	Black Enamel Finish

Part No.	Colour
GHE3D-G90BKT-CR	Silver
GHE3D-G90BKT-GP	Gold
GHE3D-G90BKT-BL	Black